

WRIGHTFIELD

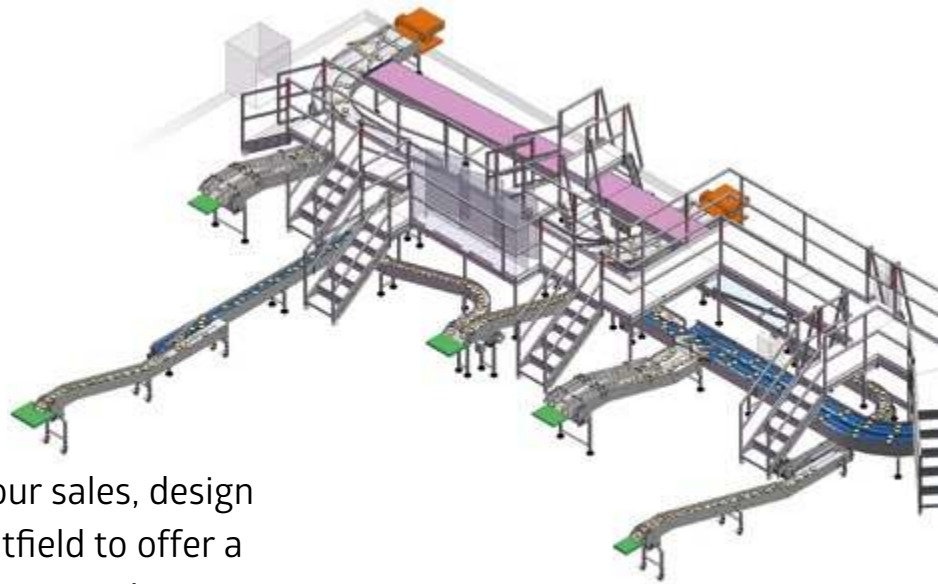
BETTER BY DESIGN



www.wrightfield.co.uk

Advice and Services for the food processing industry

- Conveyor design
- Belt selection
- Plant layout
- Product flow analysis



The wealth of knowledge within our sales, design and project teams, enables Wrightfield to offer a comprehensive range of consultancy services.

Custom Design and Manufacture of Food Processing Equipment

Wrightfield custom design and manufacture food processing equipment solutions to suit demanding customer requirements. Our bespoke solutions can automate the most difficult applications and processes to improve quality, efficiency and productivity.

A distillation coil, part of a project for extracting plant oils



Conveyors

Batcher feed line for portion weighing in poultry factory

Wrightfield design and manufacture a complete range of conveyor solutions, including:

- Straight transfer
- Radius
- Elevator and de-elevator
- Multi Lane and merge
- Spiral elevator and de-elevator
- Packing stations
- Inspection and grading
- Basket, crate and tray
- High hygiene construction

Wrightfield can supply a single conveyor unit, through to a complete turnkey plant solution.



Elevators feeding multi-head weighers



Grape packing line

Process Machinery - Manufactured

Meat Press



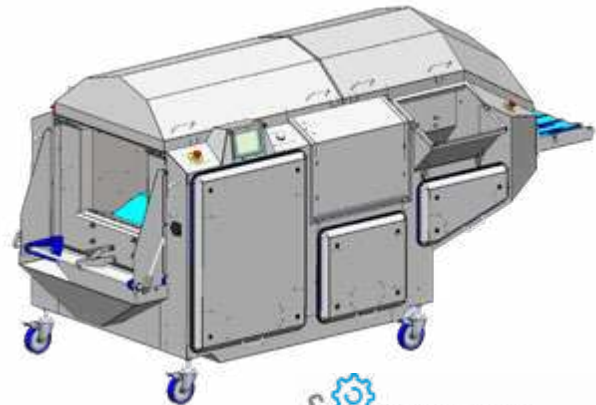
The Wrightfield Meat Press has a unique additional control mechanism to cater for fluctuations in product temperature.

Meat Press MP10 - Designed and manufactured by Wrightfield



Dicers and Slicers

Our Dicers and Slicers are distributed by FAM Belgium throughout the world.



Breading and Coating

A single machine for pre-dusting or bread-crumbing. Reduces changeovers, idle time, cleaning cost and floor space for machines that often stand idle.



Poultry Process and Evisceration

Poultry Process and Evisceration equipment up to 5,000 Birds/hour.

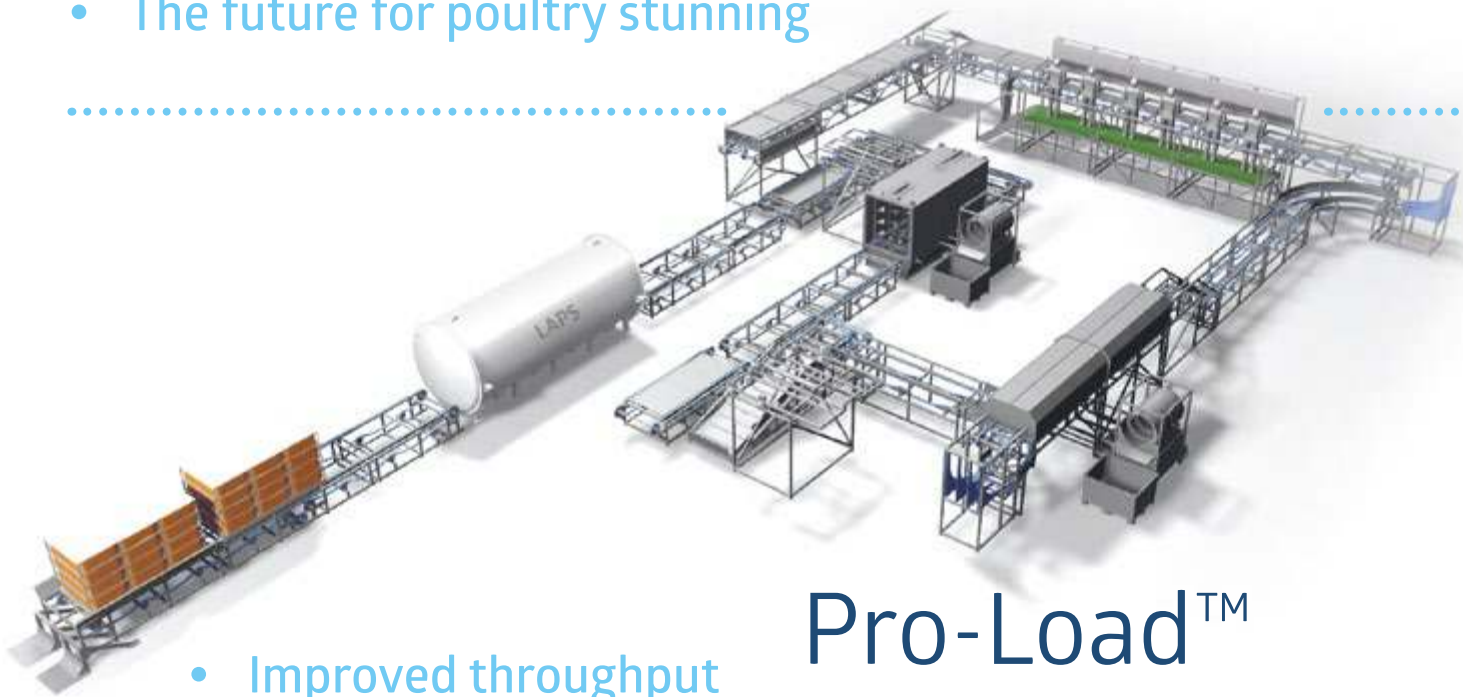
Low Atmospheric Pressure Stunning

The most humane stunning system (RSPCA) with loss of consciousness occurring within 40 seconds.



Summary of LAPS™ Benefits:

- Unique patented technology
- Eliminates the need for Gas
- Less hazardous than alternative systems
- EFSA approved
- Extensive body of scientific research
- The future for poultry stunning



- Improved throughput
- Minimise downtime
- Easier maintenance
- Higher safety levels

Pro-Load™

A modern improved engineering design solution that provides significant operational improvements and offers improved humane conditions for bird transportation.

Bespoke Architectural Steelwork Solutions

Wrightfield offer architectural steelwork solutions, either fabricating products from customer's detailed drawings or working with the customer to design and manufacture a bespoke solution.

Products are manufactured to the highest quality and to the customer's specification.



Bespoke teardrop window frame for leading pharmaceutical company



Conveyors and walkways in packing hall of pie manufacturer

Platforms and Mezzanines

Wrightfield are specialists in the design and build of stainless and mild steel access structures. One of our key product lines is the design and installation of bespoke platforms, gantries or walkways for any purpose or application. Be it a control station, elevated work zone, inspection area or even a bridge over a production line, a Wrightfield system can get you there.

Our History



The company Wrightfield Ltd was established in 1989. Design, fabrication and assembly are all based at our purpose built facility in Eye, Suffolk.

Our 26,000 sq. ft. facility is the centre for our in house design, project planning and manufacturing activities. Our design team use the latest 3d modelling software to create equipment conveyor system designs and our manufacturing facility is capable of handling the most demanding of projects.

Service and Maintenance

A range of services, spares and support packages designed specifically for the food sector. Bespoke support packages available upon request.



Planned Preventative Maintenance



Breakdown



Spares - Components & Machined Parts



Shift Cover

Our Customers



Wrightfield Ltd.

Progress Way,
Mid Suffolk Business Park,
Eye, IP23 7HU

T: +44 (0) 1379 872800

E: sales@wrightfield.co.uk

www.wrightfield.co.uk

